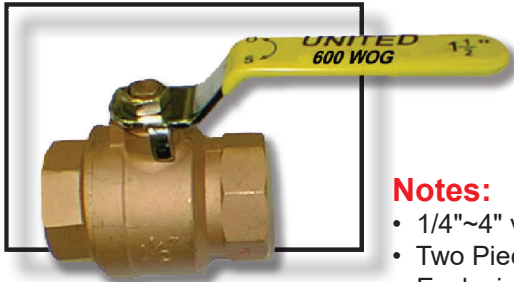


Forged Brass Full Port BALL VALVE

Model 2116-T IPS - 600 WOG

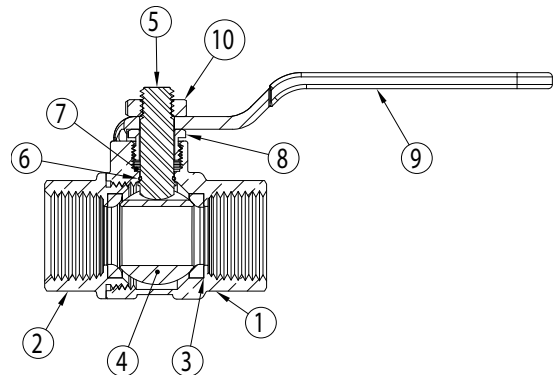
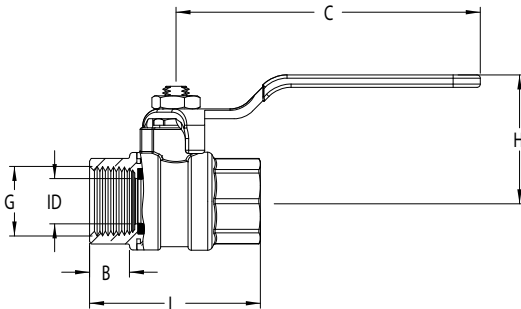
UNITED



Notes:

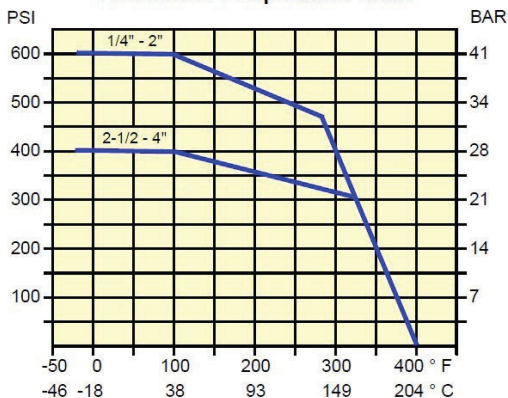
- 1/4"~4" valves rated 600 psi WOG
- Two Piece Hot Forged Brass Body
- Explosion Proof Stem
- Double Teflon O-Ring on Stem
- Solid Chrome Plated Brass Ball
- Virgin Teflon Seats

No.	Part	Material
1	Body	ASTM C37700
2	Bonnet	ASTM C37700
3	Seal	PTFE
4	Ball	C.P. Forged Brass (ASTM C37700)
5	Stem	ASTM C37700
6	Stem Washer	PTFE
7	Packing	PTFE
8	Packing Gland	ASTM C37700
9	Lever Handle	Chrome Plated Steel w/Vinyl Cover
10	Hex Nut	ASTM C37700



Dimensions in inches • Weight in pounds

Pressure & Temperature Chart



Nominal Size	Part No.	L	ID	H	G	B	C
1/4"	2116-T-03	1.73	0.40	1.81	1/4-18 NPT	0.37	3.50
3/8"	2116-T-04	1.73	0.40	1.81	3/8-18 NPT	0.37	3.50
1/2"	2116-T-05	1.97	0.58	1.99	1/2-14 NPT	0.41	3.50
3/4"	2116-T-07	2.24	0.75	2.36	3/4-14 NPT	0.45	4.09
1"	2116-T-08	2.66	0.97	2.46	1-11.5 NPT	0.53	4.63
1-1/4"	2116-T-09	3.21	1.27	2.76	1-1/4-11.5 NPT	0.61	4.63
1-1/2"	2116-T-10	3.58	1.57	3.70	1-1/2-11.5 NPT	0.65	5.71
2"	2116-T-11	4.17	2.00	4.02	2-11.5 NPT	0.69	5.71
2-1/2"	2116-T-12	5.35	2.54	4.53	2-1/2-8 NPT	0.93	9.13
3"	2116-T-13	6.32	3.14	4.96	3-8 NPT	1.06	9.13
4"	2116-T-14	7.28	3.93	5.55	4-8 NPT	1.10	9.13

1/2" ~ 2" - UL, NSF 61 & CSA Listing

1/4" ~ 2" - FM Listing

Note: Design subject to change without notice.



WARNING: This product can expose you to chemicals including lead, which is known to the State of California to cause cancer and birth defects or other reproductive harm. For more information go to www.P65Warnings.ca.gov.



United Water Products
 5355 Ramona Blvd., Jacksonville, FL 32205
 TEL. 877-766-4459 FAX: 877-766-4458
 Website: www.unitedwaterproducts.com

Forged Brass Full Port Ball Valve

Model 2116-S

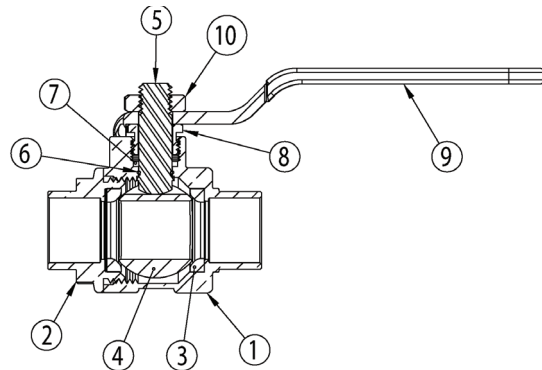
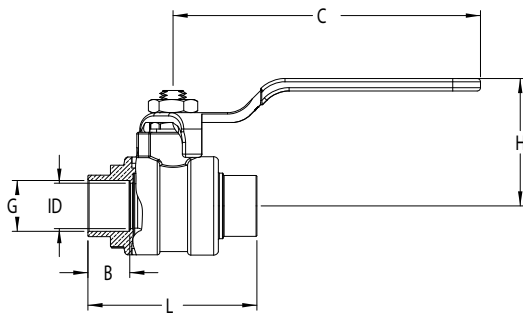
C X C - 600 WOG



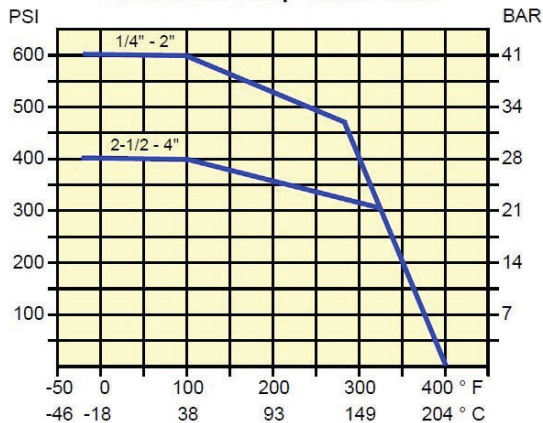
Notes:

- 1/4"~2" valves rated 600 psi WOG
- 2-1/2"~4" valves rated 400 psi WOG
- Two Piece Hot Forged Brass Body
- Explosion Proof Stem
- Double Teflon O-Ring on Stem
- Solid Chrome Plated Brass Ball
- Virgin Teflon Seats

No.	Part	Material
1	Body	ASTM C37700
2	Bonnet	ASTM C37700
3	Seal	PTFE
4	Ball	C.P. Forged Brass (ASTM C37700)
5	Stem	ASTM C37700
6	Stem Washer	PTFE
7	Packing	PTFE
8	Packing Gland	ASTM C37700
9	Lever Handle	Chrome Plated Steel w/Vinyl Cover
10	Hex Nut	ASTM C37700



Pressure & Temperature Chart



Dimensions in inches • Weight in pounds

Nominal Size	Part No.	L	ID	H	G	B	C
1/4	2116-S-03	1.79	0.34	1.73	0.38	0.48	3.54
3/8	2116-S-04	1.87	0.40	1.73	0.50	0.51	3.54
1/2	2116-S-05	2.01	0.56	1.84	0.63	0.51	3.54
3/4	2116-S-07	2.74	0.75	2.00	0.90	0.75	3.80
1	2116-S-08	3.22	0.95	2.45	1.13	0.87	4.52
1-1/4	2116-S-09	3.82	1.28	2.90	1.38	1.00	4.52
1-1/2	2116-S-10	4.43	1.58	3.20	1.63	1.10	5.51
2	2116-S-11	5.31	1.94	3.45	2.13	1.35	5.51
2-1/2	2116-S-12	6.28	2.52	4.76	2.63	1.47	8.66
3	2116-S-13	7.15	2.92	5.07	3.13	1.67	8.66
4	2116-S-14	9.27	3.90	5.86	4.13	2.16	9.60

1/4" ~ 4" - UL & NSF 61 Listing

1/4" ~ 2" - FM Listing

Note: Design subject to change without notice.



WARNING: This product can expose you to chemicals including lead, which is known to the State of California to cause cancer and birth defects or other reproductive harm. For more information go to www.P65Warnings.ca.gov.



United Water Products
 5355 Ramona Blvd., Jacksonville, FL 32205
 TEL. 877-766-4459 FAX: 877-766-4458
 Website: www.unitedwaterproducts.com